

# PLAZA

## Installation & operating manual

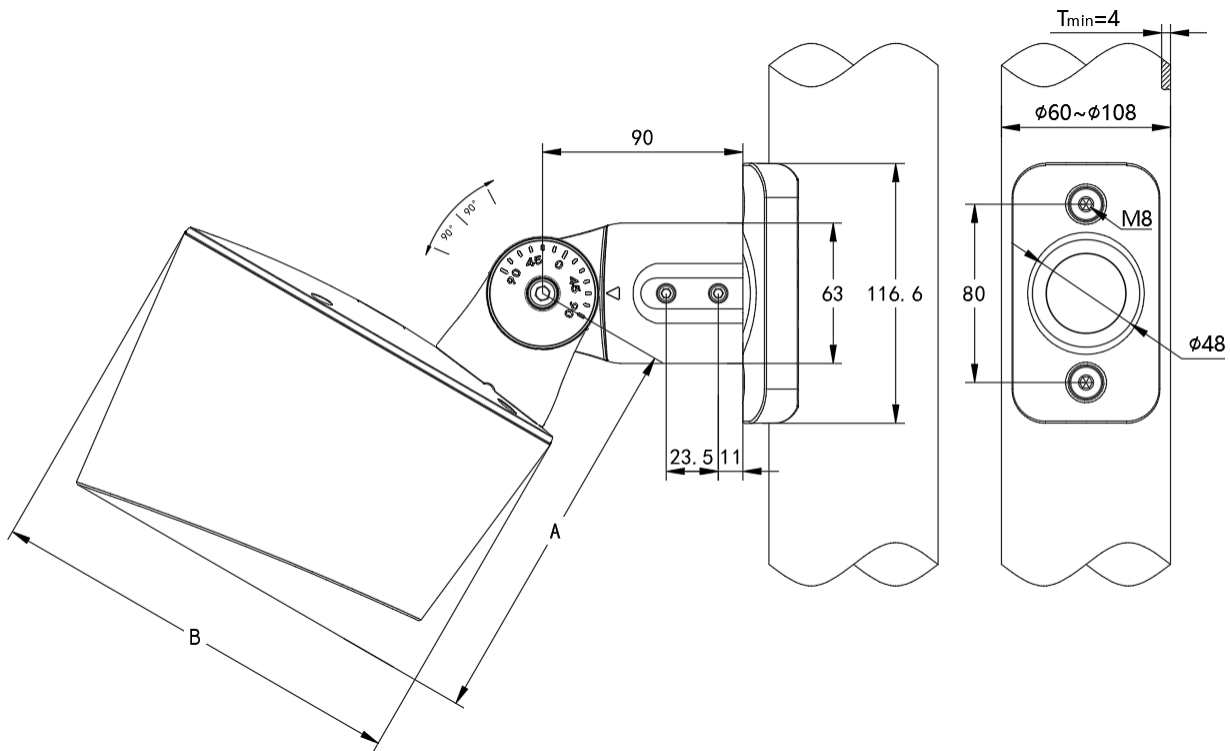
RP1-S/M/L/XL



**WARNING:**

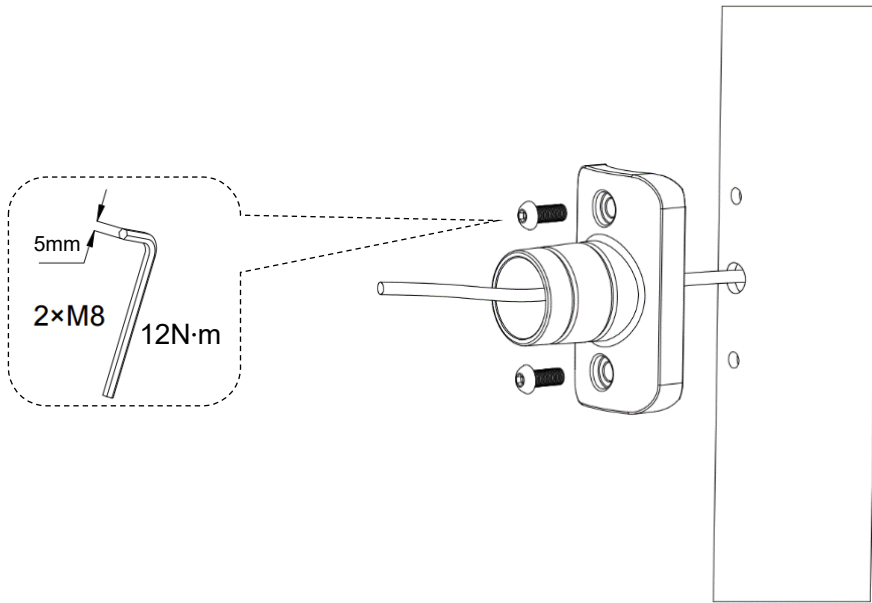
1. The safety of this fixture is guaranteed only if you comply with these instructions; remember to conserve a safe place.
2. Before opening the package, please check if there's damage or defect during transportation, if damage occurs, please don't use it and inform your supplier immediately. Please do not attempt to use a damaged product.
3. The product should be installed, dismantled and maintained by a qualified electrician; Suppliers don't take charge of any problems or damages that occur due to mishandling such as an operation not permitted in this manual.
4. Be certain electrical power is OFF before and during installation and maintenance.
5. Caution, risk of electric shock. ⚠
6. The light source of this luminaire is not replaceable; when the light source reaches its end of life the whole luminaire shall be replaced

### 1 Dimensions

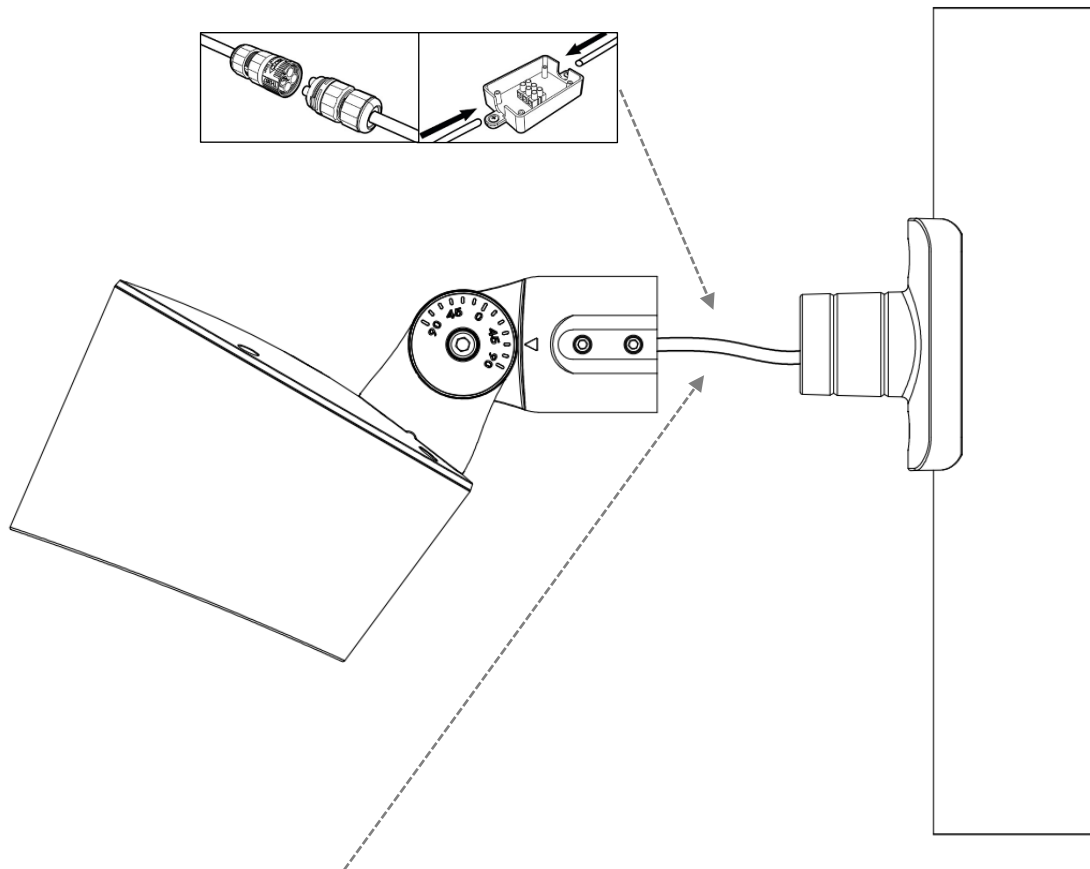


SIZE	A	B	Weight	Fixed height	Projected area
S	166	160	2.6Kg	15m	0.025m <sup>2</sup>
M	179	190	3.7Kg	15m	0.03 m <sup>2</sup>
L	188	230	5.1Kg	15m	0.036 m <sup>2</sup>
XL	212	280	7.6Kg	15m	0.046 m <sup>2</sup>

## 2 Mounting Bracket

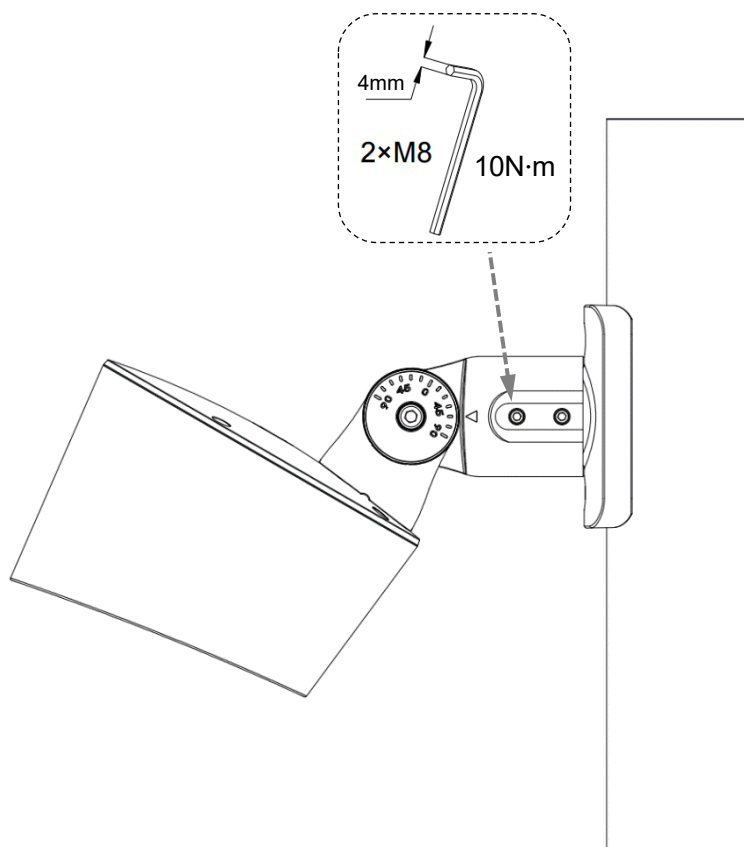


## 3 Connects Cables



Blue: N  
Yellow and green: G  
Brown: L

## 4 Lamp installation



## 5 Adjust Angle

